

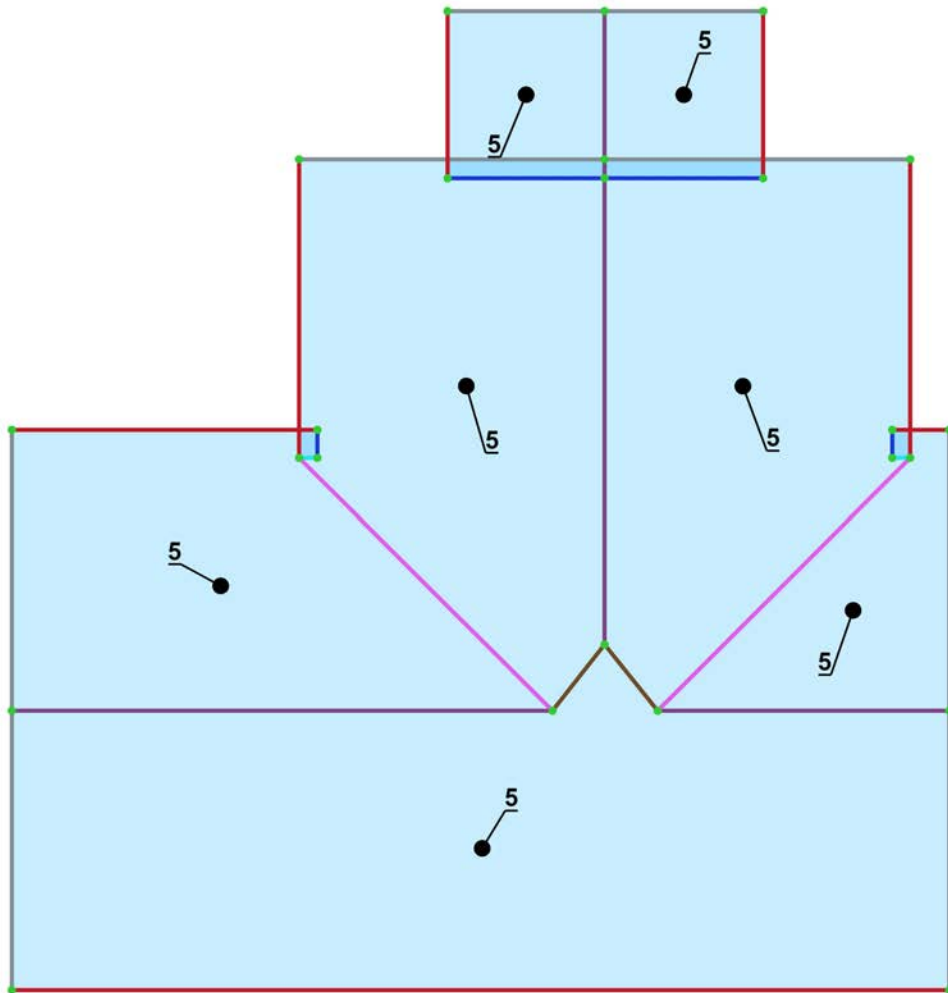


# SKETCH REPORT

## Full Snap Example

Property address

# SKETCH REPORT | PITCH DIAGRAM

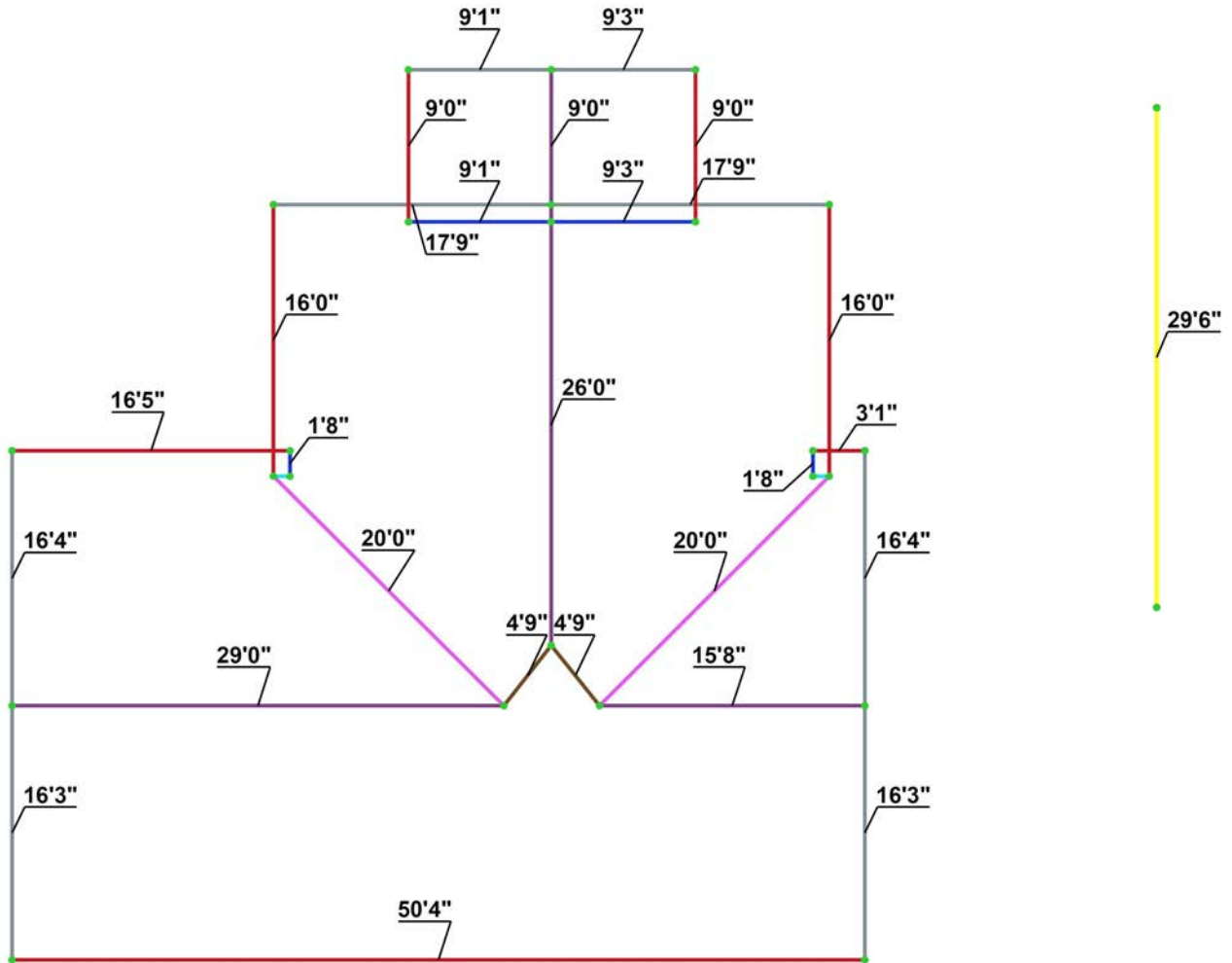


Full Snap  
Example

Property address

Prepared  
by RoofSnap

# SKETCH REPORT | MEASUREMENTS DIAGRAM



<span style="color: red;">—</span> Eave	<span style="color: brown;">—</span> Hip	<span style="color: cyan;">—</span> Wall
<span style="color: grey;">—</span> Rake	<span style="color: magenta;">—</span> Valley	<span style="color: orange;">—</span> Pitch Change
<span style="color: purple;">—</span> Ridge	<span style="color: blue;">—</span> Step	<span style="color: yellow;">—</span> Unlabeled

Full Snap Example

Property address

Prepared by RoofSnap

# SKETCH REPORT | MEASUREMENTS

## Waste calculation

SUGGESTED WASTE \*

	Actual	+5%	+10%	+10.75%	+15%	+20%
<b>Squares</b>	23.24	24.4	25.56	25.74	26.73	27.89
<b>Area</b>	2,324 ft. <sup>2</sup>	2,440 ft. <sup>2</sup>	2,556 ft. <sup>2</sup>	2,574 ft. <sup>2</sup>	2,673 ft. <sup>2</sup>	2,789 ft. <sup>2</sup>

\*The suggested waste percentage only applies when installing standard architectural shingles and a closed, single-cut valley system. The calculation includes 2.3 SF per LF of valley, 0.7 SF per LF of hip, 0.25 SF per LF of rake, and 0.25 SF per LF of step. In addition, a 5% handling waste is included. NOTE: This percentage accounts for field shingle waste only. Ridge cap, hip cap, and starter bundles should be accounted for separately.

## Line measurements

<b>Eaves</b>	119 ft.
<b>Rakes</b>	118 ft.
<b>Ridges</b>	79 ft.
<b>Hips</b>	9 ft.
<b>Valleys</b>	39 ft.
<b>Step</b>	21 ft.
<b>Wall</b>	1 ft.
<b>Pitch change</b>	0 ft.

## Category measurements

<b>Ice &amp; water shield</b>	0 ft.
<b>Ridge vent</b>	0 ft.
<b>Rake edge</b>	0 ft.
<b>Eave edge</b>	0 ft.
<b>Step flashing</b>	0 ft.
<b>Apron flashing</b>	0 ft.
<b>Gutters</b>	0 ft.
<b>Gutter topplers</b>	0 ft.
<b>Down spouts</b>	0 ft.

## Pitch measurements

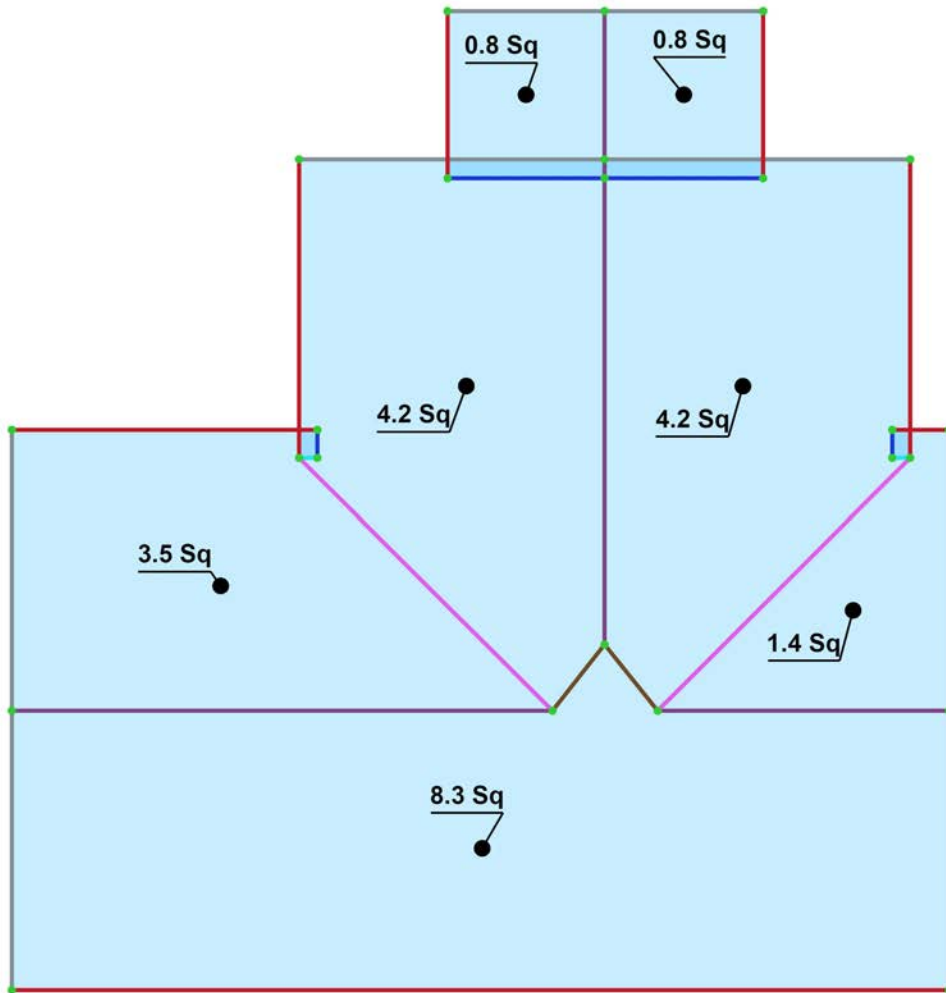
<b>5/12</b>	23.24 sqs.
-------------	------------

Full Snap  
Example

Property address

Prepared  
by RoofSnap

# SKETCH REPORT | AREA DIAGRAM



Full Snap  
Example

Property address

Prepared by  
RoofSnap